

## Mini solenoid cylinder Series DVM



Design type	Mini solenoid cylinder according to ISO 6432
Heads	anodized aluminum
Piston rod	Stainless steel 1.4301 knurled
Cylinder tube	anodized aluminum
Seals	NBR
End-position cushioning	mechanical, Cushioning discs
Ambient temperature	-10...+80°C
Medium temperature	0...+40°C
Lubrication	not necessary
Medium	filtered compressed air
Pressure range	1...10bar
Special version	ATEX version available: II 3GD c T5 T 165° -5 < Ta < 50°C Type XDVM ..../..., XDVM ..../...P
Scope of delivery	incl. Neck and piston rod nut
Note	Technical documentation for accessories see separate data sheet CAD files are available in the STASTO Store at <a href="http://www.stasto.eu">www.stasto.eu</a>

### Type code

DVM	__ /	---	-	__ -	__
	12 ø12	Stroke [mm]			double-acting
	16 ø16				P continuous piston rod
	20 ø20				SEA single-acting spring front
	25 ø25				SEP single-acting, spring at rear
					VS Viton Piston rod seal
					VV Viton complete

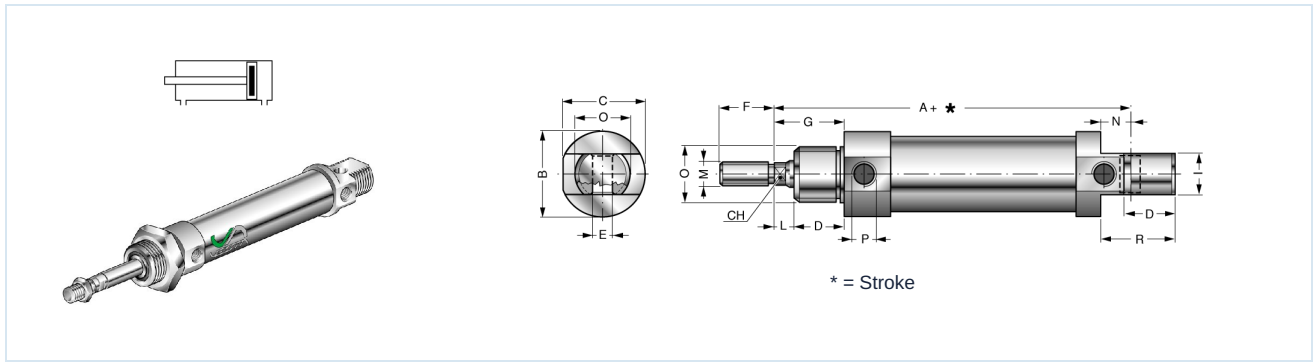
### Standard strokes

Ø	10	25	50	80	100	125	160	200	250	300	350	400	450	500
12	•	•	•	•	•	•	•							
16	•	•	•	•	•	•	•	•	•	•				
20	•	•	•	•	•	•	•	•	•	•	•	•	•	•
25	•	•	•	•	•	•	•	•	•	•	•	•	•	•

Special stroke on request

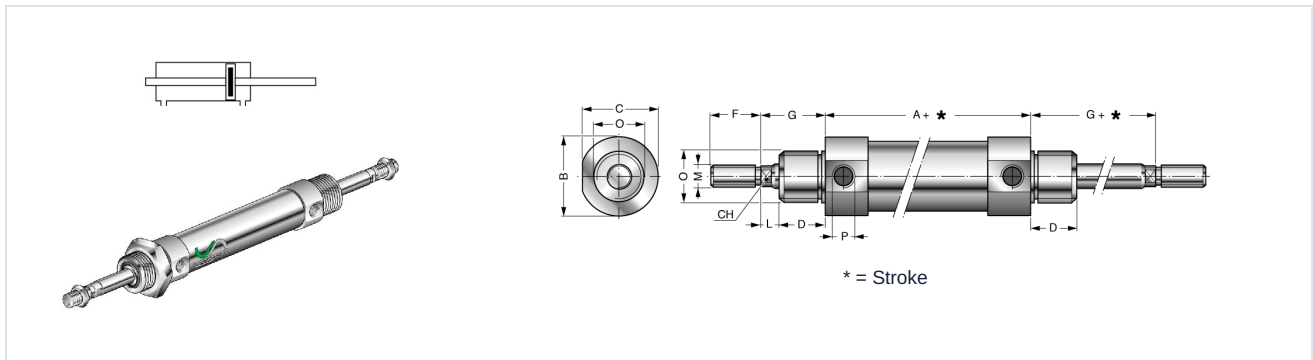


## DVM .. - ... double-acting



Ø	A	ØB	C	CH	D	ØE H9	F	G	I	L	ØM	N	ØO	ØP	R	Type
12	75	18	17,2	5	15	6	16	22	12	7	M6x1	9	M16x1,5	M5	22	DVM12/...
16	82	22	21,2	5	15	6	16	22	12	7	M6x1	9	M16x1,5	M5	22	DVM16/...
20	95	28	26,2	7	19	8	20	24	16	5	M8x1,25	12	M22x1,5	G1/8	30	DVM20/...
25	104	32	32,5	8	20	8	22	28	16	8	M10x1,25	12	M22x1,5	G1/8	30	DVM25/...

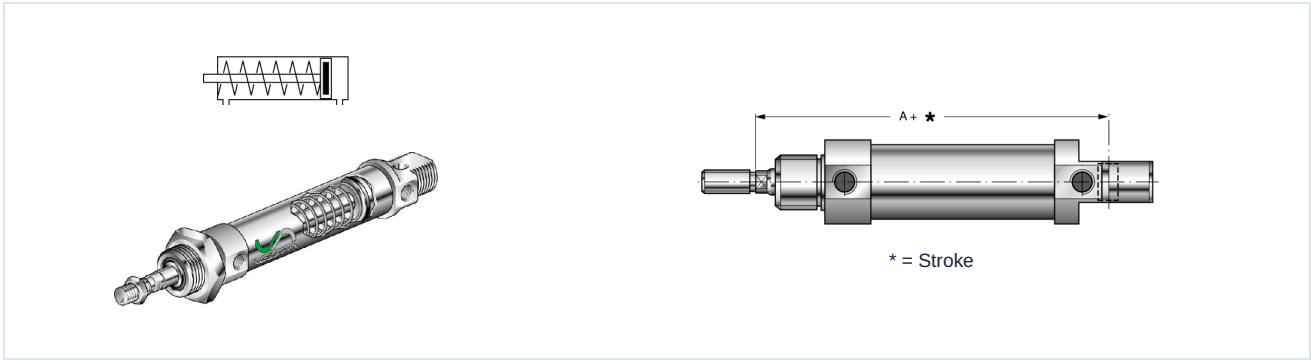
## DVM .. - ... P double-acting, continuous piston rod



Ø	A	ØB	C	CH	D	F	G	L	ØM	ØO	ØP	Type
12	49,5	18	17,2	5	15	16	22	7	M6x1	M16x1,5	M5	DVM12/...P
16	56	22	21,2	5	15	16	22	7	M6x1	M16x1,5	M5	DVM16/...P
20	68	28	26,2	7	19	20	24	5	M8x1,25	M22x1,5	G1/8	DVM20/...P
25	69	32	32,5	8	20	22	28	8	M10x1,25	M22x1,5	G1/8	DVM25/...P

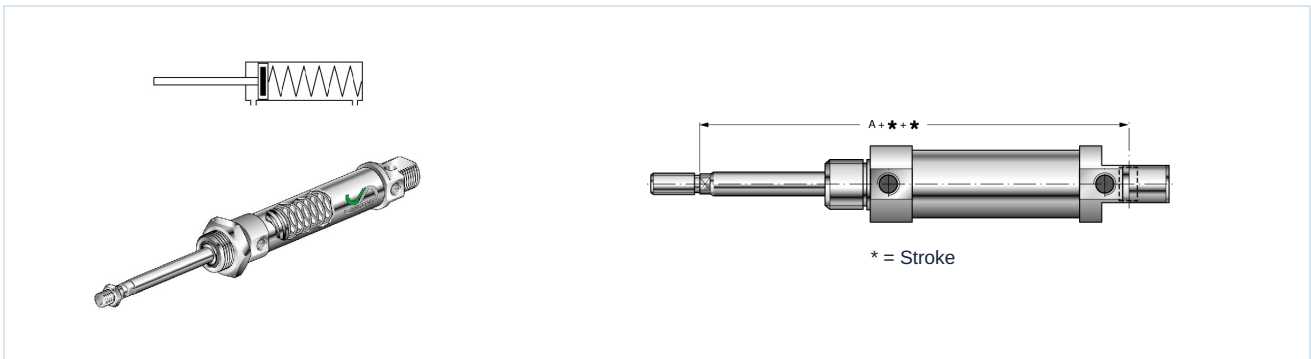


## DVM .. - ... SEA single-acting, Front spring



Ø	A	Spring force [daN]						Type
		Stroke 10mm		Stroke 25mm		Stroke 50mm		
		min.	max.	min.	max.	min.	max.	
12	75	2,1	2,4	1,6	2,4	0,35	2,4	DVM12/...SEA
16	82	2,2	2,5	1,6	2,5	0,5	2,5	DVM16/...SEA
20	95	2,3	2,6	1,7	2,6	1	2,6	DVM20/...SEA
25	104	2,3	2,6	1,7	2,6	1	2,6	DVM25/...SEA

## DVM .. - ... SEP single-acting, Rear spring



Ø	A	Spring force [daN]						Type
		Stroke 10mm		Stroke 25mm		Stroke 50mm		
		min.	max.	min.	max.	min.	max.	
12	75	2,1	2,4	1,6	2,4	0,35	2,4	DVM12/...SEP
16	82	2,2	2,5	1,6	2,5	0,5	2,5	DVM16/...SEP
20	95	2,3	2,6	1,7	2,6	1	2,6	DVM20/...SEP
25	104	2,3	2,6	1,7	2,6	1	2,6	DVM25/...SEP

Illustrations non-binding  
Design, dimensional and material changes reserved

