

Mini solenoid cylinder with pressure port rear axial Series DRM



Design type	Mini solenoid cylinder according to ISO 6432
Heads	anodized aluminum
Piston rod	Stainless steel X5CrNi1810 knurled
Cylinder tube	anodized aluminum
Seals	NBR
Stopper	mechanical
Ambient temperature	-10°C...+80°C
Medium temperature	0°C...+40°C
Lubrication	not necessary
Medium	filtered compressed air
maximum operating pressure	10bar
Scope of delivery	incl. Neck and piston rod nut
Note	Technical documentation for accessories see separate data sheet CAD files are available in the STASTO Store at www.stasto.eu

Type code

DRM	__ /	___ -	__ - __
	12 ø12	Stroke [mm]	double-acting
	16 ø16		SEA single-acting spring front
	20 ø20		VSViton Piston rod seal
	25 ø25		VVViton complete

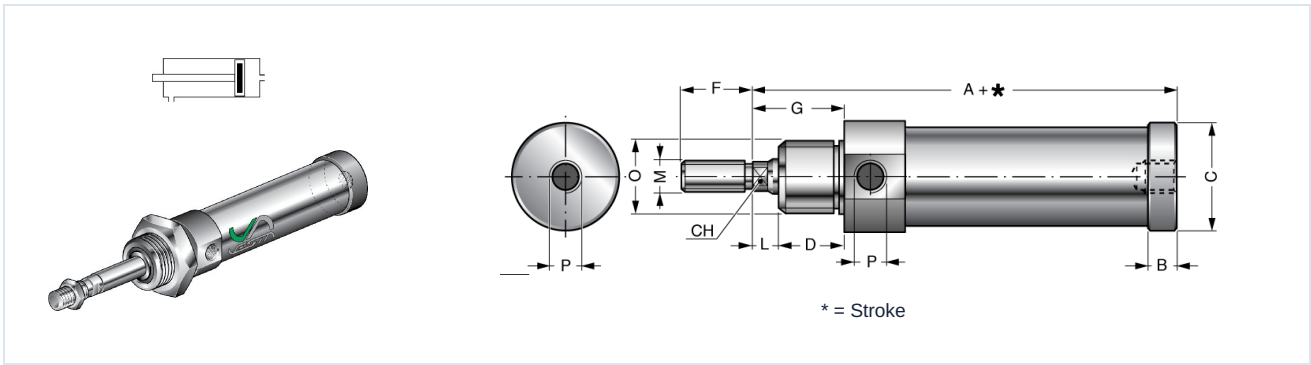
Standard strokes

Ø	10	25	50	80	100	125	160	200	250	300	350	400	450	500
12	•	•	•	•	•	•	•							
16	•	•	•	•	•	•	•	•	•	•				
20	•	•	•	•	•	•	•	•	•	•	•	•	•	•
25	•	•	•	•	•	•	•	•	•	•	•	•	•	•

Special stroke on request

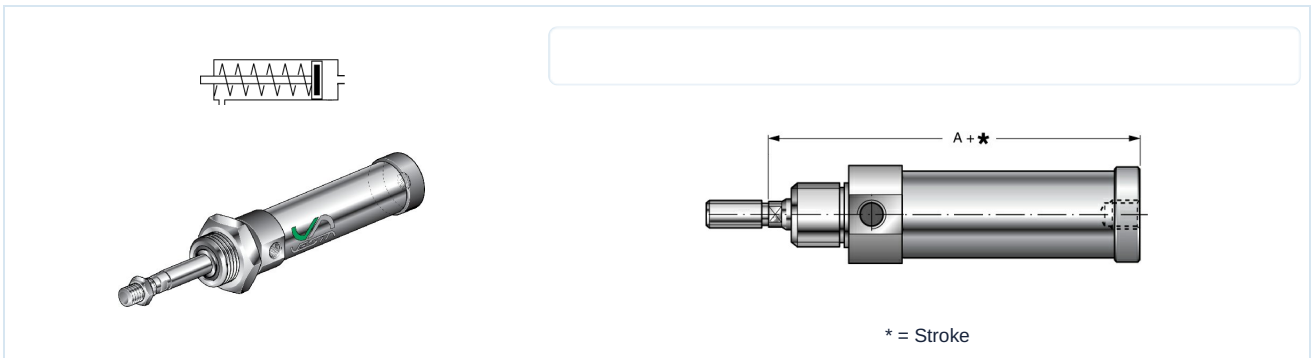


DRM .. / ... double-acting



Ø	A	B	ØC	CH	D	F	G	L	ØM	ØO	ØP	Type
12	69	6,5	18	5	15	16	22	7	M6x1	M16x1,5	M5	DRM12/...
16	74	6,5	22	5	15	16	22	7	M6x1	M16x1,5	M5	DRM16/...
20	85	6,5	28	7	19	20	24	5	M8x1,25	M22x1,5	G1/8	DRM20/...
25	90	6,5	34	8	20	22	28	8	M10x1,25	M22x1,5	G1/8	DRM25/...

DRM .. / ... - SEA single-acting, Front spring



Ø	A	Spring force [daN]						Type
		Stroke 10mm		Stroke 25mm		Stroke 50mm		
		min.	max.	min.	max.	min.	max.	
12	69	2,1	2,4	1,6	2,4	0,35	2,4	DRM12/...-SEA
16	74	2,2	2,5	1,6	2,5	0,5	2,5	DRM16/...-SEA
20	85	2,3	2,6	1,7	2,6	1	2,6	DRM20/...-SEA
25	90	2,3	2,6	1,7	2,6	1	2,6	DRM25/...-SEA

Illustrations non-binding
Design, dimensional and material changes reserved

