

# Mini solenoid cylinder with adjustable end-position cushioning Series ACM



Design type	Mini solenoid cylinder according to ISO 6432
Heads	anodized aluminum
Piston rod	Stainless steel 1.4301 knurled
Cylinder tube	anodized aluminum
Seals	NBR
End-position cushioning	pneumatic, adjustable
Ambient temperature	-10...+80°C
Medium temperature	0...+40°C
Lubrication	not necessary
Medium	filtered compressed air
maximum operating pressure	10bar
Special version	ATEX version available: II 3GD c T5 T 165° -5 < Ta < 50°C Type XACM ..../..., XACM ..../...P
Scope of delivery	incl. Neck and piston rod nut
Note	Technical documentation for accessories see separate data sheet CAD files are available in the STASTO Store at <a href="http://www.stasto.eu">www.stasto.eu</a> Solenoid switch see separate data sheet

## Type code

ACM	__ /	___ -	__ -	__
	16 ø16	Stroke [mm]		double-acting
	20 ø20		P	continuous piston rod
	25 ø25			VS Viton Piston rod seal
				VV Viton complete

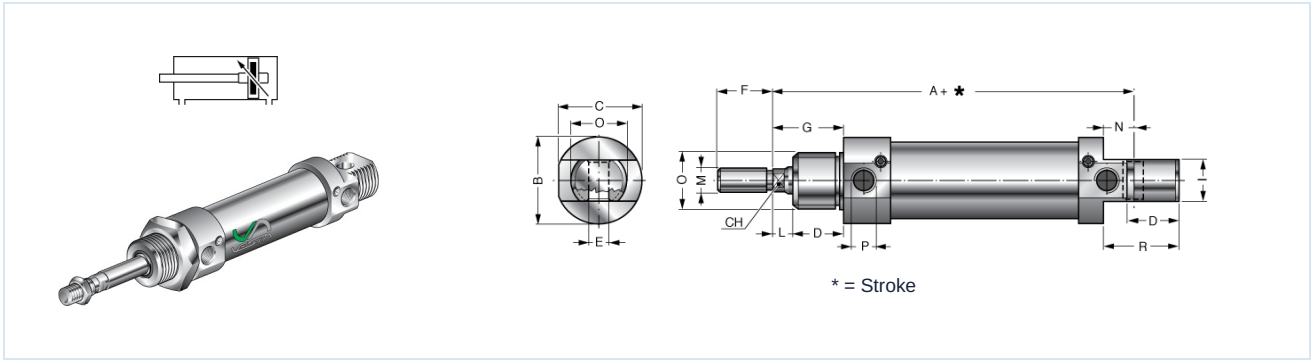
## Standard strokes, Cushioning length

Ø	10	25	50	80	100	125	160	200	250	300	350	400	450	500	Cushioning length
16	•	•	•	•	•	•	•	•	•	•					24
20	•	•	•	•	•	•	•	•	•	•	•	•	•	•	27
25	•	•	•	•	•	•	•	•	•	•	•	•	•	•	30

Special stroke on request

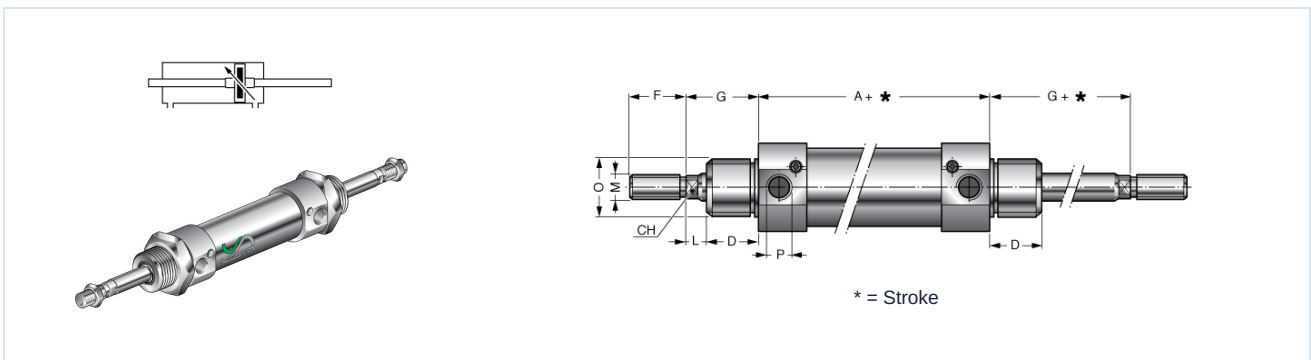


## ACM .. - ... double-acting



Ø	A	ØB	C	CH	D	ØE H9	F	G	I	L	ØM	N	ØO	ØP	R	Type
16	82	22	21,2	5	15	6	16	22	12	7	M6x1	9	M16x1,5	M5	22	ACM16/...
20	95	28	26,2	7	19	8	20	24	16	5	M8x1,25	12	M22x1,5	G1/8	30	ACM20/...
25	104	34	32,5	8	20	8	22	28	16	8	M10x1,25	12	M22x1,5	G1/8	30	ACM25/...

## ACM .. - ... P double-acting, continuous piston rod



Ø	A	ØB	C	CH	D	F	G	L	ØM	ØO	ØP	Type
16	56	22	21,2	5	15	16	22	7	M6x1	M16x1,5	M5	ACM16/...P
20	68	28	26,2	7	19	20	24	5	M8x1,25	M22x1,5	G1/8	ACM20/...P
25	69	34	32,5	8	20	22	28	8	M10x1,25	M22x1,5	G1/8	ACM25/...P

Illustrations non-binding

Design, dimensional and material changes reserved

Pneumatics / Cylinders / Cylinders ISO 6432 with accessories / Mini magnetic cylinder Series ACM

