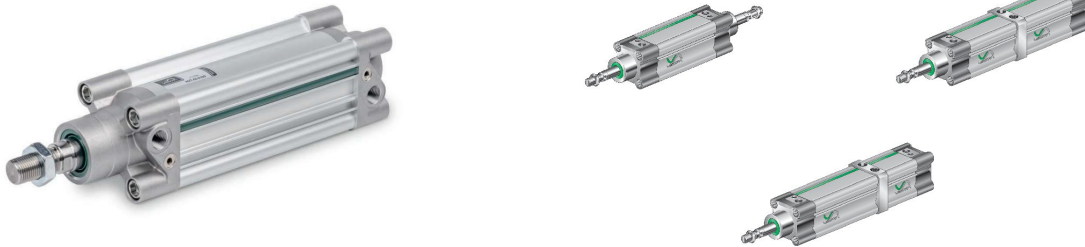


Profile magnetic cylinder VDMA - ISO 15552 Series PC60



Design type	Profile magnetic cylinder according to VDMA - ISO 15552
Heads	High-pressure die casting Aluminium alloy hard anodized
Piston rod	Stainless steel 1.4021 knurled
Cylinder tube	Aluminium profile hard anodized
Seals	Polyurethane
End-position cushioning	pneumatic, adjustable
Stopper	mechanical
Ambient temperature	-10...+80°C (-20...+150°C for version FKM seals, -40...+120°C Low temperature-NBR)
Medium temperature	0...+40°C
Lubrication	not necessary
Medium	filtered compressed air
maximum operating pressure	10bar
Scope of delivery	incl. Piston rod nut
Special versions	ATEX, for hazardous area (explosive atmosphere); Low-friction version; anti-rotation secured; Hollow piston rod; extended piston rod; Special thread on the piston rod; Cylinder tube mounted rotated by 180°
Note	Accessories see separate data sheet CAD files are available in the STASTO Store at www.stasto.eu Solenoid switch see separate data sheet



Type code

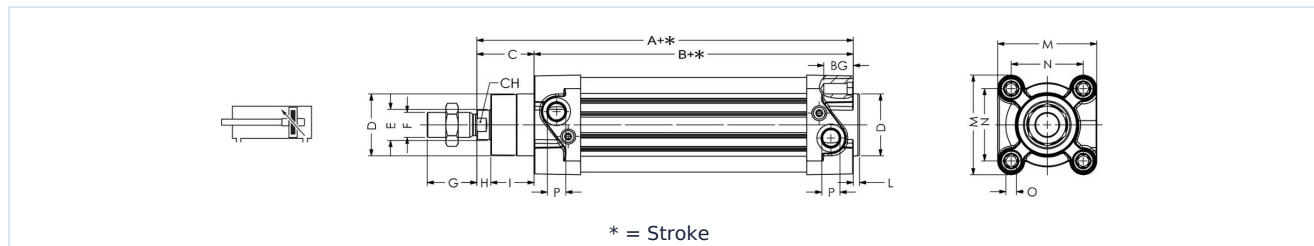
		PC60 - 32 - 25 - 25 - VV - 01															
Type	double-acting	PC60															
	single-acting spring front	F															
	single-acting, spring at rear	R															
Diameter [mm]	32	32															
	40	40															
	50	50															
	63	63															
	80	80															
	100	100															
	125	125															
Stroke [mm]	see table Standard strokes	25															
Stroke 2 [mm]	only for version Multi-position (without Stroke 2 Leave blank)	25															
Special version	Low-temperature version															LT	
	Multi-position															MP	
	Tandem															MT	
	continuous piston rod, only for version double-acting															P	
	Piston rod seal FKM															VS	
	FKM seals															VV	
Special version	described in the item text															01,02,...	

Standard strokes, Cushioning length

Ø	25	50	80	100	125	160	200	250	300	350	400	450	500	600	700	800	900	1000	Cushioning length	
32	●	●	●	●	●	●	●	●	●	●	●	●	●							24
40	●	●	●	●	●	●	●	●	●	●	●	●	●							27
50	●	●	●	●	●	●	●	●	●	●	●	●	●							30
63	●	●	●	●	●	●	●	●	●	●	●	●	●							30
80	●	●	●	●	●	●	●	●	●	●	●	●	●	●	●	●	●	●	●	36
100	●	●	●	●	●	●	●	●	●	●	●	●	●	●	●	●	●	●	●	38
125	●	●	●	●	●	●	●	●	●	●	●	●	●	●	●	●	●	●	●	38

Special stroke on request

Double-acting



Ø	A	B	C	D	E	F	G	H	I	L	M	N	O	P	BG	CH	Type
32	120	94	26	30	12	M10x1,25	20	7	19	3	47	32,5	M6	G 1/8	16	10	PC60-32-...
40	135	105	30	35	16	M12x1,25	24	9	21	3	53	38	M6	G 1/4	16	13	PC60-40-...
50	143	106	37	40	20	M16x1,5	32	10	27	3,5	65	46,5	M8	G 1/4	16	17	PC60-50-...
63	158	121	37	45	20	M16x1,5	32	10	27	4	75	56,5	M8	G 3/8	16	17	PC60-63-...
80	174	128	46	45	25	M20x1,5	40	13	33	4	95	72	M10	G 3/8	18	21	PC60-80-...
100	189	138	51	55	25	M20x1,5	40	15	36	4	115	89	M10	G 1/2	18	21	PC60-100-...
125	225	160	65	60	30	M27x2	54	25	40	6	140	110	M12	G 1/2	22	27	PC60-125-...

Version 6

151389 / Generated 2026/21 EN

MADE IN EUROPE

+43 512 52076
austria@stasto.eu
© STASTO Automation KG

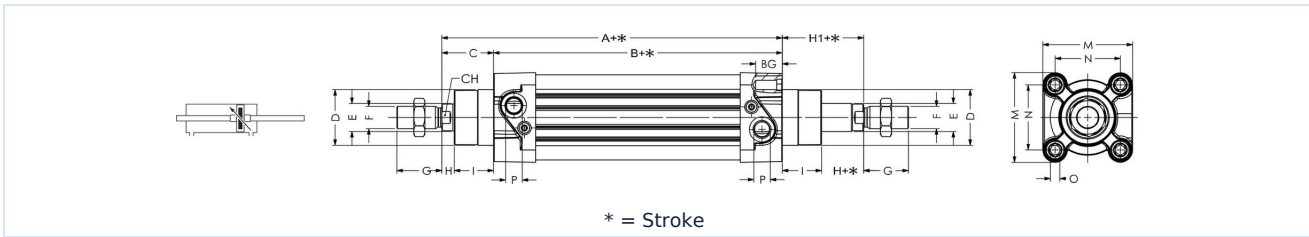
www.stasto.com

Open series online

Page 2 / 5



Double-acting, continuous piston rod



Ø	A	B	C	D	E	F	G	H	H1	I	M	N	O	P	BG	CH	Type
32	120	94	26	30	12	M10x1,25	20	7	26	19	47	32,5	M6	G 1/8	16	10	PC60-32-...-P
40	135	105	30	35	16	M12x1,25	24	9	30	21	53	38	M6	G 1/4	16	13	PC60-40-...-P
50	143	106	37	40	20	M16x1,5	32	10	37	27	65	46,5	M8	G 1/4	16	17	PC60-50-...-P
63	158	121	37	45	20	M16x1,5	32	10	37	27	75	56,5	M8	G 3/8	16	17	PC60-63-...-P
80	174	128	46	45	25	M20x1,5	40	13	46	33	95	72	M10	G 3/8	18	21	PC60-80-...-P
100	189	138	51	55	25	M20x1,5	40	15	51	36	115	89	M10	G 1/2	18	21	PC60-100-...-P
125	225	160	65	60	30	M27x2	54	25	65	40	140	110	M12	G 1/2	22	27	PC60-125-...-P

Single-acting, Front spring

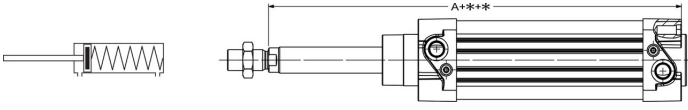
Ø	A	Type
32	120	PC60F-32-...
40	135	PC60F-40-...
50	143	PC60F-50-...
63	158	PC60F-63-...
80	174	PC60F-80-...
100	189	PC60F-100-...

* = Stroke
for further dimensions see cylinder PC60 standard

Stroke	Spring force [N]											
	Ø32		Ø40		Ø50		Ø63		Ø80		Ø100	
	min.	max.	min.	max.	min.	max.	min.	max.	min.	max.	min.	max.
10	50	54	72	82	110	123	110	123	166	180	166	180
20	44	54	62	82	98	123	98	123	152	180	152	180
30	40	54	52	82	86	123	86	123	137	180	137	180
40	35	54	42	82	73	123	73	123	123	180	123	180
50	30	54	32	82	60	123	60	123	110	180	110	180

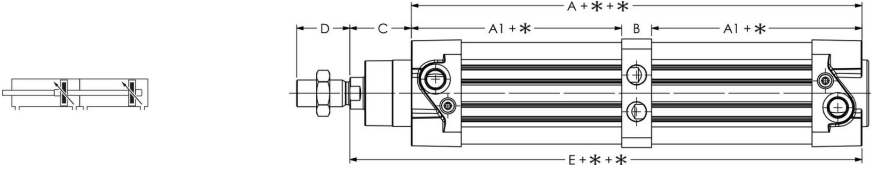


Single-acting, Rear spring

 <p style="text-align: center;">* = Stroke for further dimensions see cylinder PC60 standard</p>	Ø	A	Type
	32	120	PC60R-32-...
	40	135	PC60R-40-...
	50	143	PC60R-50-...
	63	158	PC60R-63-...
	80	174	PC60R-80-...
	100	189	PC60R-100-...

Stroke	Spring force [N]											
	Ø32		Ø40		Ø50		Ø63		Ø80		Ø100	
	min.	max.	min.	max.	min.	max.	min.	max.	min.	max.	min.	max.
10	50	54	72	82	110	123	110	123	166	180	166	180
20	44	54	62	82	98	123	98	123	152	180	152	180
30	40	54	52	82	86	123	86	123	137	180	137	180
40	35	54	42	82	73	123	73	123	123	180	123	180
50	30	54	32	82	60	123	60	123	110	180	110	180

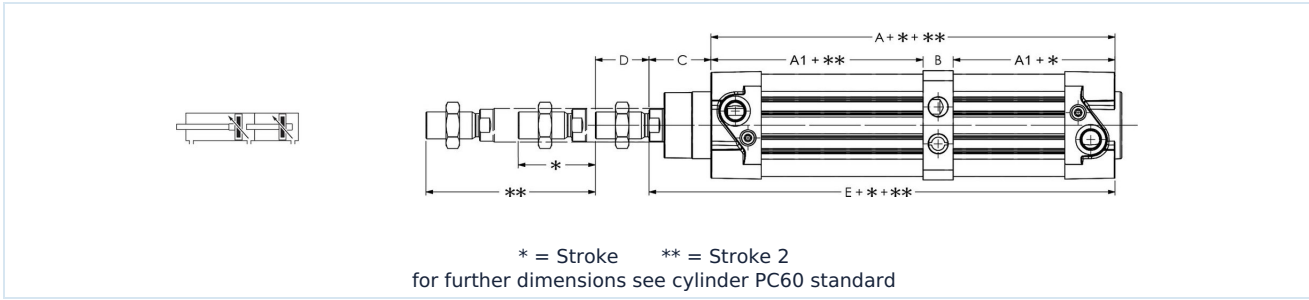
Tandem

 <p style="text-align: center;">* = Stroke for further dimensions see cylinder PC60 standard</p>								
---	--	--	--	--	--	--	--	--

Ø	A	A1	B	C	D	E	Type
32	156	68	20	26	20	182	PC60-32-...-MT
40	175	73,5	28	30	24	205	PC60-40-...-MT
50	171	76,5	18	37	32	208	PC60-50-...-MT
63	191	85	21	37	32	228	PC60-63-...-MT
80	205	91,5	22	46	40	251	PC60-80-...-MT
100	224	98,5	27	51	40	275	PC60-100-...-MT
125	265	115	35	65	54	330	PC60-125-...-MT



Multi-position



Ø	A	A1	B	C	D	E	Type
32	156	68	20	26	20	182	PC60-32-...-MP
40	175	73,5	28	30	24	205	PC60-40-...-MP
50	171	76,5	18	37	32	208	PC60-50-...-MP
63	191	85	21	37	32	228	PC60-63-...-MP
80	205	91,5	22	46	40	251	PC60-80-...-MP
100	224	98,5	27	51	40	275	PC60-100-...-MP
125	265	115	35	65	54	330	PC60-125-...-MP

Illustrations non-binding
Design, dimensional and material changes reserved

Pneumatics / Cylinders / Cylinders ISO 15552 with accessories / Profile magnetic cylinder Series NWT, PC60

