

3/2-Way solenoid valve, Air/Vacuum, 1/2" up to 2" Series PV



Design type	3/2-way solenoid poppet valve pilot-operated, Actuation electric/spring or rather for Vacuum or Low-pressure application electric/external pilot air/spring, Manual emergency override
Connection	G1/2"...G2" according to ISO228/1
Materials	Body Aluminium, Cover Plastic, Piston POM/Nickel-plated steel, Seals and Diaphragm Polyurethane, Spring Stainless steel
Mounting type	Through holes in the valve body
Mounting position	any
Medium	filtered and lubricated or non-lubricated compressed air or rather Vacuum
Medium temperature	-20...+60°C
Ambient temperature	-20...+60°C

Electrical data:

Coil type	SCN, Connector width 32mm
Electrical connection	Appliance socket according to EN175301-803 Form A (see separate data sheet)
Standard voltage	230V/50-60Hz, 24V/50-60Hz, 24VDC
Special voltages	110V/50-60Hz, 12VDC, further on request
Permissible voltage fluctuation	± 10%
Power consumption	see table "Solenoid coil"
Duty cycle	100% duty cycle (continuous operation)
Degree of protection	IP65 according to EN 60529 with correctly mounted device connector (protection against dust ingress and water jets)

Notes:

	When ordering, please specify voltage and type of current
	CAD files are available in the STASTO Store at www.stasto.eu




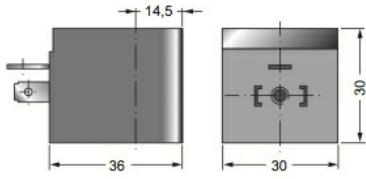
Type code Actuation electric/spring

PV32W1S	6M	12	A	SCN -	230V/50-60Hz
	6 NC	12G1/2"	A Compressed air	SCN Standard coil	230V/50-60Hz
	9 NO	34 G3/4"			110V/50-60Hz
		10G1"			24V/50-60Hz
		15 G1 1/2"			24VDC
		20 G2"			12VDC

Type code Actuation electric/external pilot air/spring

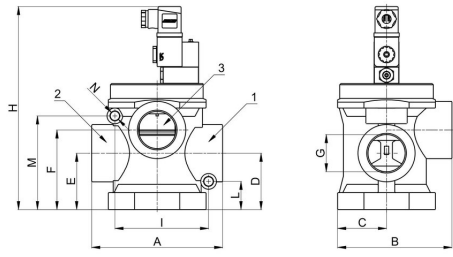
PV32W1S	6E	12	V	SCN -	230V/50-60Hz
	6 NC	12G1/2"	A Compressed air	SCN Standard coil	230V/50-60Hz
	9 NO	34 G3/4"	V Vacuum		110V/50-60Hz
		10G1"			24V/50-60Hz
		15 G1 1/2"			24VDC
		20 G2"			12VDC

Solenoid coil

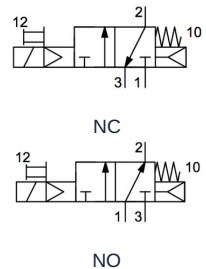
		Voltage	Power consumption at 20°C	Type
		12VDC	3W	SCN01200
		24VDC	3W	SCN02400
		24V/50-60Hz	5VA	SCN02450
		110V/50-60Hz	5VA	SCN11050
		230V/50-60Hz	5VA	SCN23050

For details on the device socket, see separate data sheet

PV32W1S.M Actuation electric/spring, Application: Compressed air



1, 2, 3 ... Connections



NC

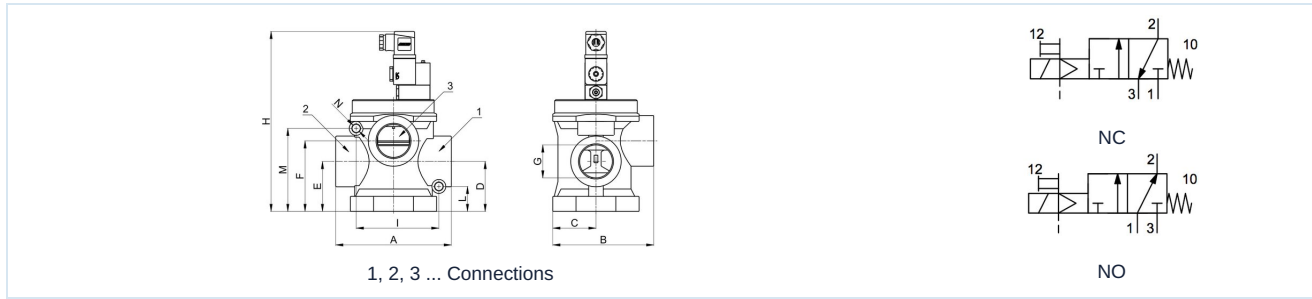
NO

Connection	Pressure range [bar]	A	B	C	D	E	F	H	I	L	M	N	Flow rate* [Nl/min]	Function	Type
G1/2"	3-10	78,5	75	35	30	41	50,5	163	63	21	54,5	6,5	5500	NC	PV32W1S6M12A
G1/2"	3-10	78,5	75	35	30	41	50,5	163	63	21	54,5	6,5	5500	NO	PV32W1S9M12A
G3/4"	3-10	78,5	75	35	30	41	50,5	163	63	21	54,5	6,5	6500	NC	PV32W1S6M34A
G3/4"	3-10	78,5	75	35	30	41	50,5	163	63	21	54,5	6,5	6500	NO	PV32W1S9M34A
G1"	3-10	101	94	45	38	51	64	179	76	25,5	62,5	8,4	13500	NC	PV32W1S6M10A
G1"	3-10	101	94	45	38	51	64	179	76	25,5	62,5	8,4	13500	NO	PV32W1S9M10A
G1 1/2"	3-10	158	138	84	68	68	98	228	113	34	113	11	35000	NC	PV32W1S6M15A
G1 1/2"	3-10	158	138	84	68	68	98	228	113	34	113	11	35000	NO	PV32W1S9M15A
G2"	3-10	210	183,5	79	92	92	129	300	150	48	152	13	60000	NC	PV32W1S6M20A
G2"	3-10	210	183,5	79	92	92	129	300	150	48	152	13	60000	NO	PV32W1S9M20A

*Reference pressure 6bar, Reference temperature 20°C



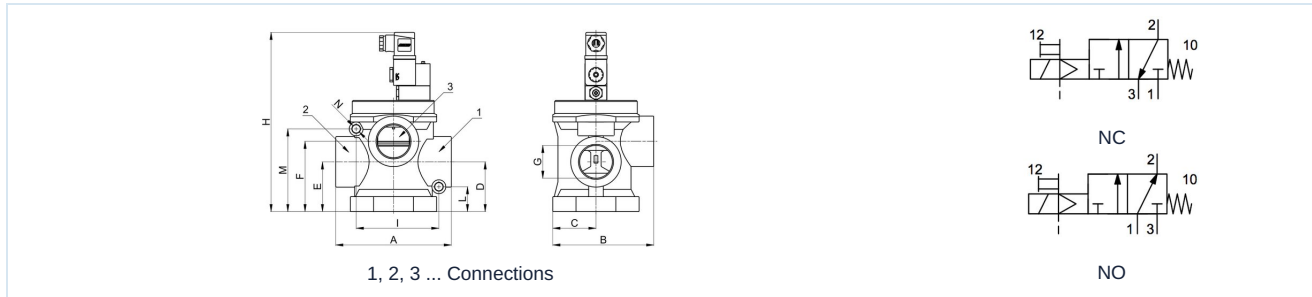
PV32W1S.E Actuation electric/external pilot air/spring, Application: Low pressure external pilot air connection, Control pressure 3-10bar



Connection	Pilot port	Pressure range [bar]	A	B	C	D	E	F	H	I	L	M	N	Flow rate* [NI/min]	Function	Type
G1/2"	M5	0-10	78,5	75	35	30	41	50,5	163	63	21	54,5	6,5	5500	NC	PV32W1S6E12A
G1/2"	M5	0-10	78,5	75	35	30	41	50,5	163	63	21	54,5	6,5	5500	NO	PV32W1S9E12A
G3/4"	M5	0-10	78,5	75	35	30	41	50,5	163	63	21	54,5	6,5	6500	NC	PV32W1S6E34A
G3/4"	M5	0-10	78,5	75	35	30	41	50,5	163	63	21	54,5	6,5	6500	NO	PV32W1S9E34A
G1"	M5	0-10	101	94	45	38	51	64	179	76	25,5	62,5	8,4	13500	NC	PV32W1S6E10A
G1"	M5	0-10	101	94	45	38	51	64	179	76	25,5	62,5	8,4	13500	NO	PV32W1S9E10A
G1 1/2"	1/8"	0-10	158	138	84	68	68	98	228	113	34	113	11	35000	NC	PV32W1S6E15A
G1 1/2"	1/8"	0-10	158	138	84	68	68	98	228	113	34	113	11	35000	NO	PV32W1S9E15A
G2"	1/8"	0-10	210	183,5	79	92	92	129	300	150	48	152	13	60000	NC	PV32W1S6E20A
G2"	1/8"	0-10	210	183,5	79	92	92	129	300	150	48	152	13	60000	NO	PV32W1S9E20A

*Reference pressure 6bar, Reference temperature 20°C

PV32W1S.E Actuation electric/external pilot air/spring, Application: Vacuum external pilot air connection, Control pressure 3-10bar



Connection G	Pilot port	Pressure range [bar]	A	B	C	D	E	F	H	I	L	M	N	Flow rate* Vacuum [NI/min]	Function	Type
G1/2"	M5	-1/0	78,5	75	35	30	41	50,5	163	63	21	54,5	6,5	333	NC	PV32W1S6E12V
G1/2"	M5	-1/0	78,5	75	35	30	41	50,5	163	63	21	54,5	6,5	333	NO	PV32W1S9E12V
G3/4"	M5	-1/0	78,5	75	35	30	41	50,5	163	63	21	54,5	6,5	584	NC	PV32W1S6E34V
G3/4"	M5	-1/0	78,5	75	35	30	41	50,5	163	63	21	54,5	6,5	584	NO	PV32W1S9E34V
G1"	1/8"	-1/0	101	94	45	38	51	64	179	76	25,5	62,5	8,4	1500	NC	PV32W1S6E10V
G1"	1/8"	-1/0	101	94	45	38	51	64	179	76	25,5	62,5	8,4	1500	NO	PV32W1S9E10V
G1 1/2"	1/8"	-1/0	158	138	84	68	68	98	228	113	34	113	11	3000	NC	PV32W1S6E15V
G1 1/2"	1/8"	-1/0	158	138	84	68	68	98	228	113	34	113	11	3000	NO	PV32W1S9E15V
G2"	1/8"	-1/0	210	183,5	79	92	92	129	300	150	48	152	13	4170	NC	PV32W1S6E20V
G2"	1/8"	-1/0	210	183,5	79	92	92	129	300	150	48	152	13	4170	NO	PV32W1S9E20V

*Reference pressure -1bar, Reference temperature 20°C

Illustrations non-binding
Design, dimensional and material changes reserved

Pneumatics / Way-valves - electrically / pneumatically / 3/2-way valves - air / vacuum

