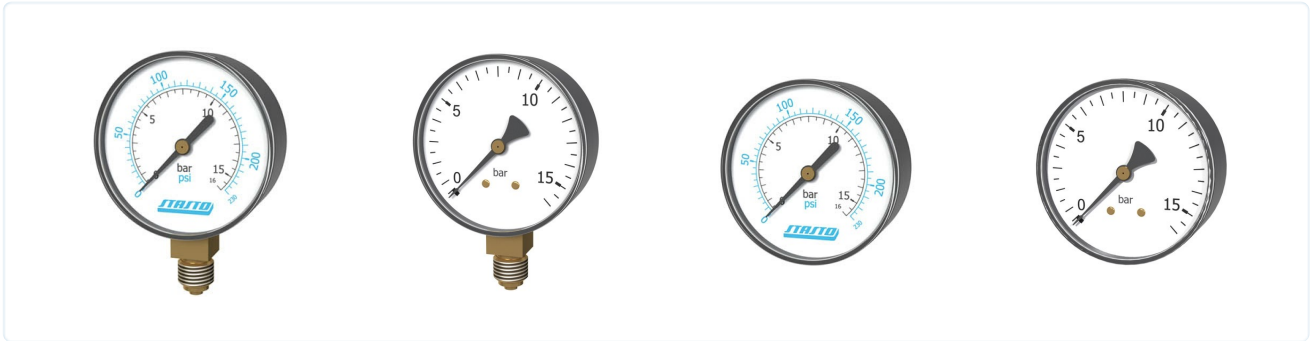
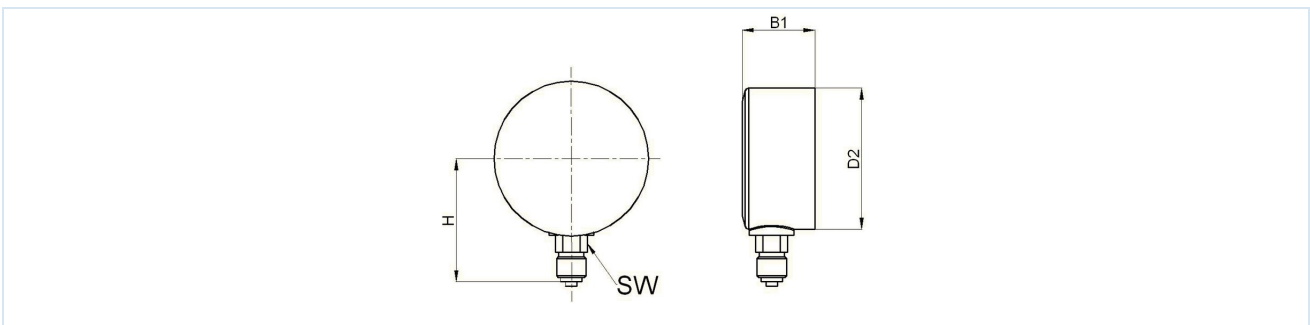


Standard pressure gauge



Design type	Bourdon tube pressure gauge in standard version after EN 837-1
Nominal size	Diameter 40mm, 50mm and 63mm
Accuracy	Class 1,6
Medium temperature	max. +60°C
Ambient temperature	-20...+60°C
Temperature influence	±0,4%/10K from the full-scale value in case of deviation from the normal temperature 20°C
Degree of protection	IP32 according to EN60529
Material	Housing Sheet steel black Pressure port Brass Measuring element and pointer mechanism Copper alloy Sight glass Clear transparent plastic
Applications	Static load 3/4 x Full-scale value Alternating load 2/3 x Full-scale value short-term Full-scale value
Application	For gaseous and liquid media, non-high-viscosity and non-crystallizing media, do not attack any copper alloys

Dimensions



Diameter [mm]	Thread G	B1	D2	H	SW	Weight [approx. kg]
40	1/8"	22	41	37	11	0,06
50	1/4"	28	49	46	14	0,09
63	1/4"	30	62	54	14	0,14



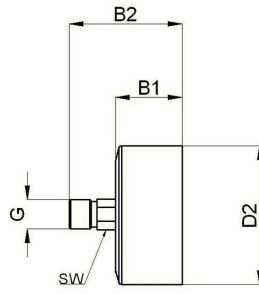
Diameter [mm]	Display range	Unit	Type
40	-1/0	bar	MA001-40B-V
40	0-1,6	bar	MA001-40B-1,6
40	0-2,5	bar	MA001-40B-2,5
40	0-4	bar	MA001-40B-4
40	0-6	bar	MA001-40B-6
40	0-10 / 0-145	bar/psi	MA001-40B-10-D
40	0-16	bar	MA001-40B-16
40	0-25	bar	MA001-40B-25
40	0-40	bar	MA001-40B-40
40	0-60	bar	MA001-40B-60

Diameter [mm]	Display range	Unit	Type
50	-1/0	bar	MA001-50B-V
50	0-1	bar	MA001-50B-1
50	0-1,6	bar	MA001-50B-1,6
50	0-2,5	bar	MA001-50B-2,5
50	0-4	bar	MA001-50B-4
50	0-6	bar	MA001-50B-6
50	0-10 / 0-145	bar/psi	MA001-50B-10-D
50	0-16 / 0-230	bar/psi	MA001-50B-16-D
50	0-25	bar	MA001-50B-25
50	0-40	bar	MA001-50B-40
50	0-60	bar	MA001-50B-60
50	0-100	bar	MA001-50B-100
50	0-160	bar	MA001-50B-160

Diameter [mm]	Display range	Unit	Type
63	-1/0	bar	MA001-63B-V
63	-1/0,6	bar	MA001-63B-V0,6
63	-1/1,5	bar	MA001-63B-V1,5
63	-1/3	bar	MA001-63B-V3
63	-1/5	bar	MA001-63B-V5
63	-1/9	bar	MA001-63B-V9
63	-1/15	bar	MA001-63B-V15
63	0-1	bar	MA001-63B-1
63	0-1,6	bar	MA001-63B-1,6
63	0-2,5	bar	MA001-63B-2,5
63	0-4	bar	MA001-63B-4
63	0-6	bar	MA001-63B-6
63	0-10	bar	MA001-63B-10
63	0-16	bar	MA001-63B-16
63	0-25	bar	MA001-63B-25
63	0-40	bar	MA001-63B-40
63	0-60	bar	MA001-63B-60
63	0-100	bar	MA001-63B-100
63	0-160	bar	MA001-63B-160
63	0-250	bar	MA001-63B-250
63	0-400	bar	MA001-63B-400



Dimensions



Diameter [mm]	Thread G	B1	B2	D2	SW	Weight [approx. kg]
40	1/8"	24,5	38,5	41	11	0,06
50	1/4"	28	48	49	14	0,11
63	1/4"	30	49	62	14	0,14

Diameter [mm]	Display range	Unit	Type
40	-1/0	bar	MA001-40R-V
40	0-1,6 / 0-23	bar/psi	MA001-40R-1,6-D
40	0-2,5 / 0-35	bar/psi	MA001-40R-2,5-D
40	0-4 / 0-58	bar/psi	MA001-40R-4-D
40	0-6 / 0-87	bar/psi	MA001-40R-6-D
40	0-10 / 0-145	bar/psi	MA001-40R-10-D
40	0-16 / 0-230	bar/psi	MA001-40R-16-D
40	0-25	bar	MA001-40R-25
40	0-40	bar	MA001-40R-40

Diameter [mm]	Display range	Unit	Type
50	-1/0	bar	MA001-50R-V
50	0-1	bar	MA001-50R-1
50	0-1,6	bar	MA001-50R-1,6
50	0-2,5 / 0-35	bar/psi	MA001-50R-2,5-D
50	0-4 / 0-58	bar/psi	MA001-50R-4-D
50	0-6	bar	MA001-50R-6
50	0-10 / 0-145	bar/psi	MA001-50R-10-D
50	0-16 / 0-230	bar/psi	MA001-50R-16-D
50	0-25 / 0-360	bar/psi	MA001-50R-25-D
50	0-40	bar	MA001-50R-40
50	0-60	bar	MA001-50R-60
50	0-100	bar	MA001-50R-100



Diameter [mm]	Display range	Unit	Type
63	-1/0	bar	MA001-63R-V
63	0-1	bar	MA001-63R-1
63	0-1,6	bar	MA001-63R-1,6
63	0-2,5	bar	MA001-63R-2,5
63	0-4 / 0-58	bar/psi	MA001-63R-4-D
63	0-6	bar	MA001-63R-6
63	0-10 / 0-145	bar/psi	MA001-63R-10-D
63	0-16 / 0-230	bar/psi	MA001-63R-16-D
63	0-25	bar	MA001-63R-25
63	0-40	bar	MA001-63R-40
63	0-60	bar	MA001-63R-60
63	0-100	bar	MA001-63R-100
63	0-160	bar	MA001-63R-160
63	0-250	bar	MA001-63R-250
63	0-400	bar	MA001-63R-400

Illustrations non-binding
Design, dimensional and material changes reserved

[Pneumatics](#) / [Hoses, Tubes, Manometer and accessories](#) / [Manometer](#) / [Manometer - Standard construction](#) / [Bourdon tube manometer Series MA001-R](#)

