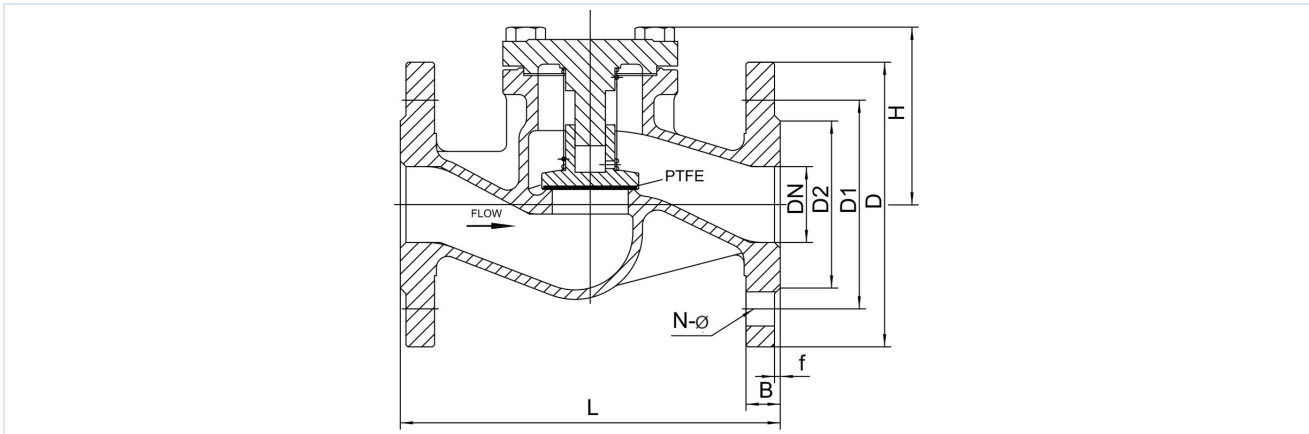


## Check valve Series CH084



Design type	Flange check valve, straight seat design
Connection	Flanges DN15...DN400 according to EN1092-1 form B1, PN40
Overall length	according to EN558-1R1
Materials	DN15...DN25 body stainless steel 1.4401, DN32...DN400 body stainless steel 1.4408, disc stainless steel 1.4401, seat seal PTFE, spring Inconel X-750
Medium temperature	-29...+150°C
Operating pressure	Nominal pressure according to table
Opening pressure	Differential pressure min. 0,5bar
Flow direction	free in the direction of the arrow, blocked in the opposite direction
Mounting type	Installation in rigid piping system
Mounting position	preferably horizontal, cover must face upwards
Application range	Fluids and gases of group 1 and 2 in accordance with PED 2014/68/EU that do not attack the materials used.





Nominal size DN [mm]	PN [bar]	B	D	D1	D2	f	H	L	N-Ø	Weight [approx. kg]	Type
15	40	16	95	65	45	2	70	130	4 x Ø14	3	CH084-15
20	40	18	105	75	58	2	70	150	4 x Ø14	4	CH084-20
25	40	18	115	85	68	2	75	160	4 x Ø14	4,5	CH084-25
32	40	18	140	100	78	2	75	180	4 x Ø18	6	CH084-32
40	40	18	150	110	88	3	95	200	4 x Ø18	8	CH084-40
50	40	20	165	125	102	3	95	230	4 x Ø18	10,5	CH084-50
65	40	22	185	145	122	3	110	290	8 x Ø18	16	CH084-65
80	40	24	200	160	138	3	125	310	8 x Ø18	21	CH084-80
100	40	24	235	190	162	3	145	350	8 x Ø22	35	CH084-100
125	40	26	270	220	188	3	180	400	8 x Ø26	63	CH084-125
150	40	28	300	250	218	3	210	480	8 x Ø26	74	CH084-150
200	40	34	375	320	285	3	270	600	12 x Ø30	128	CH084-200
250	40	38	450	385	345	3	320	730	12 x Ø33	181	CH084-250
300	40	42	515	450	410	4	360	850	16 x Ø33	-	CH084-300
350	40	46	580	510	465	4	440	980	16 x Ø36	-	CH084-350
400	40	50	660	585	535	4	485	1100	16 x Ø39	-	CH084-400

Illustrations non-binding  
Design, dimensional and material changes reserved

Armatures / Pressure regulators, safety valves and accessories / Other materials - A07 / Rückschlagventil Serie CH084

