

Pressure switch Series PDS/HDS



Design type	Diaphragm pressure switch or rather Piston pressure switch with Changeover contact
Connection	Type PDS: G1/4" Female thread Type HDS: G1/4" Male thread swivelable
Materials	Body Zinc die casting, Diaphragm or piston seal NBR
Application range	Compressed air, Hydraulic oil, Water
Switching point adjustment	The switching point can be adjusted using the handwheel after loosening a lateral grub screw.
Reset differential	Type PDS: 0,1bar + 5...10% x Switching point Type HDS: 5bar + 5...10% x Switching point
Medium temperature	-20...+80°C
Ambient temperature	-20...+80°C
electrical connection	Appliance socket according to EN175301-803 Form A
Degree of protection	IP65 according to EN 60529 with correctly mounted device connector (protection against dust ingress and water jets)
Switching cycles	1 million switching cycles
maximum switching frequency	1Hz
Mounting	via threaded connection or via 2 through holes in the housing
Mounting position	any
Scope of delivery	Pressure switch including device socket according to EN175301-803 Form A
Special version	with electrical connection M12x1 (IP67), Indicator lamp socket, silicone-free

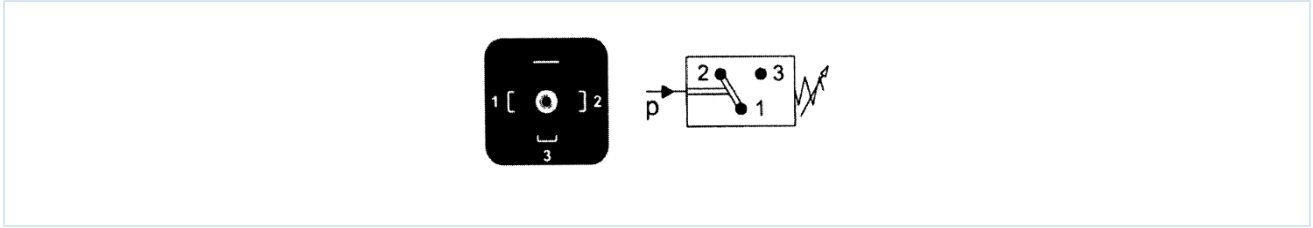
Adjustment range [bar]	Overpressure safety [bar]	Pressure transmission	Weight [kg]	Type
0,2-2	60	Diaphragm	0,31	PDS-1-002-M-2-1
0,5-8	60	Diaphragm	0,31	PDS-1-008-M-2-1
1-16	60	Diaphragm	0,31	PDS-1-016-M-2-1
10-80	350	Piston	0,34	HDS-1-080-K-7-1
10-120	350	Piston	0,34	HDS-1-120-K-7-1
20-200	350	Piston	0,34	HDS-1-200-K-7-1
20-250	350	Piston	0,34	HDS-1-250-K-7-1
30-320	350	Piston	0,34	HDS-1-320-K-7-1



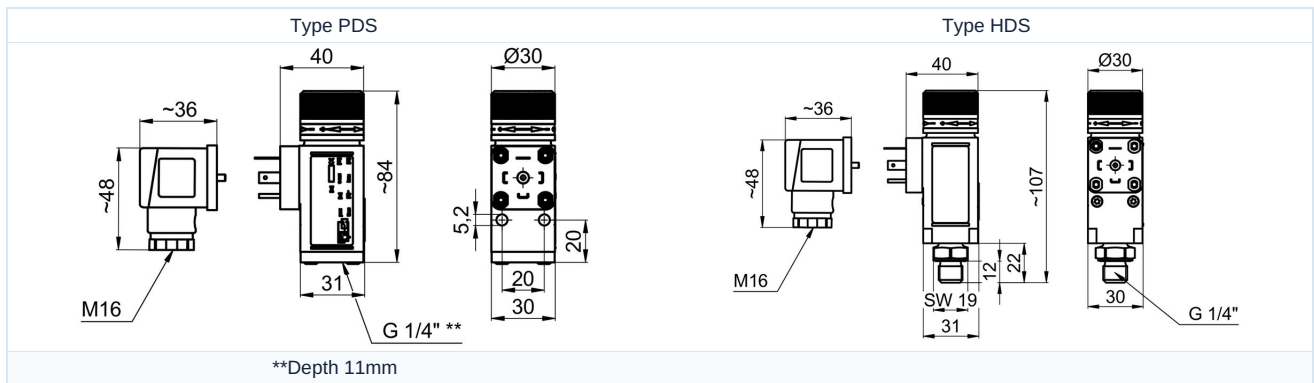
Switching capacities

	Type PDS		Type HDS	
	250AC	24DC	250AC	24DC
Voltage [V]	250AC	24DC	250AC	24DC
Resistive load [A]	6	3	6	4
Inductive load [A]	1	1	2	1

Electrical connection



Dimensions



Illustrations non-binding

Design, dimensional and material changes reserved

Armatures / Pressure switches, measuring instruments and flow monitors / Pressure switch / Pressure switch Series PDS

Version 1.0

233708 / Generated 2026/25 EN

MADE IN EUROPE

+43 512 52076

austria@stasto.eu

© STASTO Automation KG

www.stasto.com

Open series online

Page 2 / 2

